



**Accessories**  
**Wall mounted shelf for 4 baskets**  
**2180mm**

ITEM # \_\_\_\_\_

MODEL # \_\_\_\_\_

NAME # \_\_\_\_\_

SIS # \_\_\_\_\_

AIA # \_\_\_\_\_

**Construction**

- Capacity: from 1 to 4 baskets (based on model).
- Square section frame 25x25 mm.
- 304 AISI stainless steel construction throughout.

864358 (DWWS4)

Wall mounted shelf for 4 baskets 2180mm

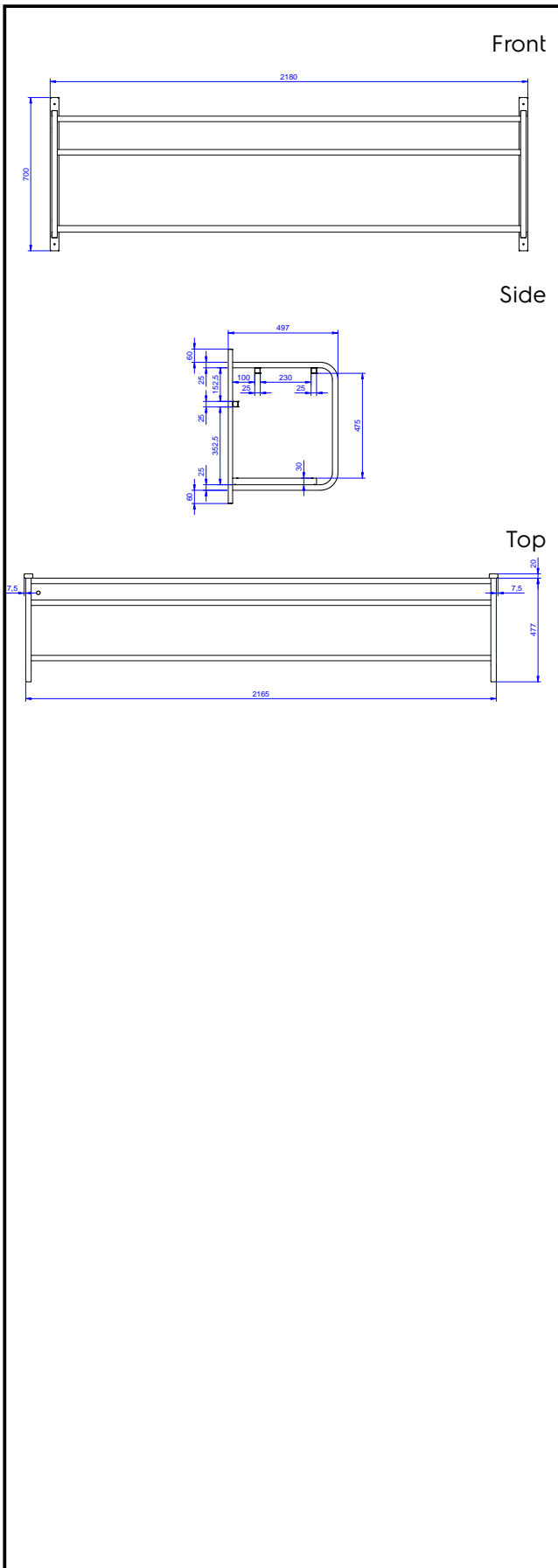
**Short Form Specification**

Item No. \_\_\_\_\_

Constructed in 304 AISI stainless steel. Square 25x25mm tubular frame. Fitted with bottom tray and drain hole. Designed for baskets 500x500mm.

APPROVAL: \_\_\_\_\_





**Key Information:****External dimensions,  
Width:****864358 (DWWS4)** 2180 mm**External dimensions,  
Depth:**

500 mm

**External dimensions,  
Height:**

700 mm

**Net weight:**

20 kg